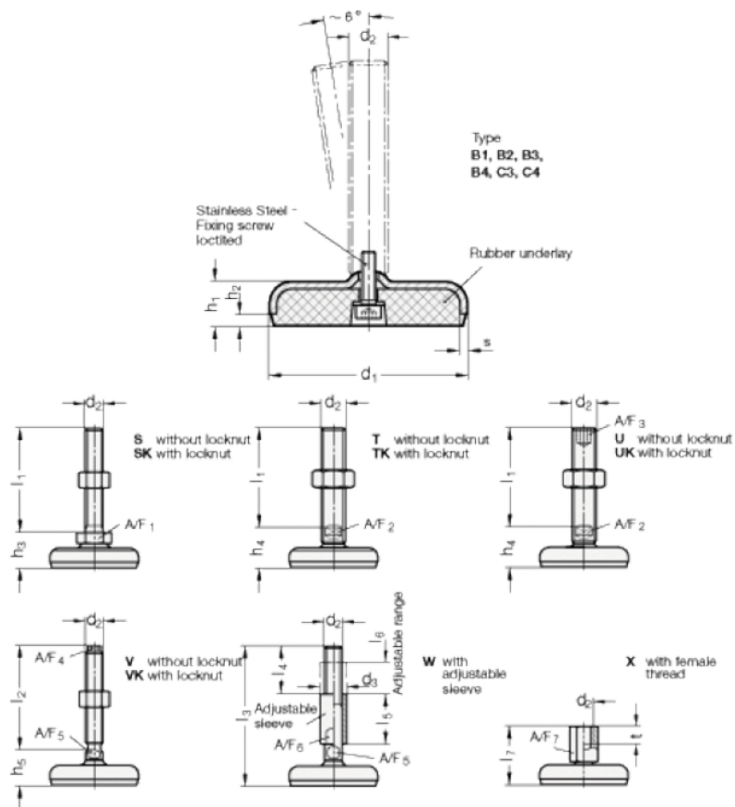


Article number: 2031100M20200B3V

Description: E+G levelling foot
GN 31-100-M20-200-B3-V

Note: V Without nut, External hexagon at the top, Wrench flat at the bottom

Measures



A/F4	= 13	s = 3
A/F5	= 16	
d1	= 100	
d2	= 20	
h1	= 20	
h5 +4.0/0	= 32	
l2	= 200	